

Current part is item (19) on diagram. Available at www.oshkoshequipment.com

(1)	(2)	(3)	(4)	(5)	(6)				(7)			(8)			(9)	(10)	
SMR	FEDERAL	DESCRIPTION	UNIT	QTY	15-DAY ORGANIZATION				30-DAY DS			30-DAY GS			1-YR. ALW	ILLUSTRATION	
CODE	STOCK		OF	INC	MAINTENANCE				MAINTENANCE			MAINTENANCE			PER 100	(A)	(B)
	NUMBER	REFERENCE NUMBER & MFR CODE	MEAS	IN	ALLOWANCE				ALLOWANCE			ALLOWANCE			EQUIP	(A)	(B)
				UNIT	(A)	(B)	(C)	(D)	(A)	(B)	(C)	(A)	(B)	(C)	PLANNING	FIG	ITEM
			USABLE ON CODE		1-5	6-20	21-50	51-100	1-20	21-50	51-100	1-20	21-50	51-100		NO	NO
PAOZZ	2530-740-9556	DEFLECTOR 7979322 (19207)	EA	4	*	*	*	*	*	*	*	*	*	*		25	5
PAOZZ	2530-740-9388	ADAPTER: BRAKE DRUM 7409388 (19207)	EA	4	*	*	*	*	*	*	*	*	*	*		25	6
PAOFZ	2530-093-5597	DRUM, BRAKE 7409394 (19207)	EA	4	*	*	*	*	*	*	*	*	*	*		25	
PAOZZ	2530-211-6129	COVER: INSPECTION HOLE 7409393 (19207)	EA	4	*	*	*	*	*	*	*	*	*	*		25	8
PAOZZ	5310-209-0965	WASHER, LOCK, SPLIT: 7 16 ID MS35338-47 (96906)	EA	40	*	*	*	*	*	*	*	*	*	*		25	9
PAOZZ	5310-234-7815	NUT, PLAIN, HEX: 7 16-20UNF-2A MS35690-724-(96906)	EA	40	*	*	*	*	*	*	*	*	*	*		25	10
PAOZZ	2530-740-9550	SEAL, OIL, PLAIN: 4 34 ID. 6-627 OD, 1.9 64 THK 7409550 (19207)	EA	4	*	*	*	*	*	*	*	*	*	*		25	11
PAOZZ	3110-198-1468	CONE & ROLLERS: TAPERED ROLLER BRG, MIL-STD- CODE 711-00593-3011. 3.5000 BORE, 1.430W (INNER) 712286 (21450)	EA	4	*	*	*	*	*	*	*	*	*	*		25	12
PAOZZ	3110-142-4390	CUP, TAPERED, ROLLER BEARING: MIL. STD-CODE 711-00592-1101 6.0000 OD, 1.1875 W (INNER & OUTER) 706691 (21450)	EA	8	*	*	*	*	*	*	*	*	*	*		25	13
PAOZZ	2530-093-5597	HUB 7979324 (19207)	EA	4	*	*	*	*	*	*	*	*	*	*		25	14
PAOZZ	3110-100-0649	CONE & ROLLERS: TAPERED ROLLER BRG MIL-STD- CODE 711-00596-3000, 3.3750 BORE, 1-4300 W (OUTER) 705155 (21450)	EA	4	*	*	*	*	*	*	*	*	*	*		25	15
PAOZZ	5310-353-2297	NUT, PLAIN: W PIN (HUB BRG) 7409603 (19207)	EA	4	*	*	*	*	*	*	*	*	*	*		25	16
PAOZZ	5310-700-7089	WASHER, KEY: 3.390 ID, 5-1 6 OD, DRILLED (BRG ADJ NUT) 7007089 (19207)	EA	4	*	*	*	*	*	*	*	*	*	*		25	17
PAOZZ	5310-353-2427	NUT, PLAIN: JAM, HUB BRG 7979263 (19207)	EA	4	*	*	*	*	*	*	*	*	*	*		25	18
PAOZZ	2530-734-6993	GASKET: FIBER, 6-1 16 ID. 8-9 16 OD. 0.013 THK 7346993 (19207)	EA	4	*	*	*	*	*	*	*	*	*	*		25	19
PAOZZ	2530-368-4952	CAP, HUB 7979307 (19207)	EA	4	*	*	*	*	*	*	*	*	*	*		25	20
PAOZZ	5305-042-6417	SCREW, CAP, HEX HD: 1/2-13NC3 X 11/2 MS90725-113 (96906)	EA	40	*	*	*	*	*	*	*	*	*	*		25	21

Current part is item (19) on diagram. Available at www.oshkoshequipment.com

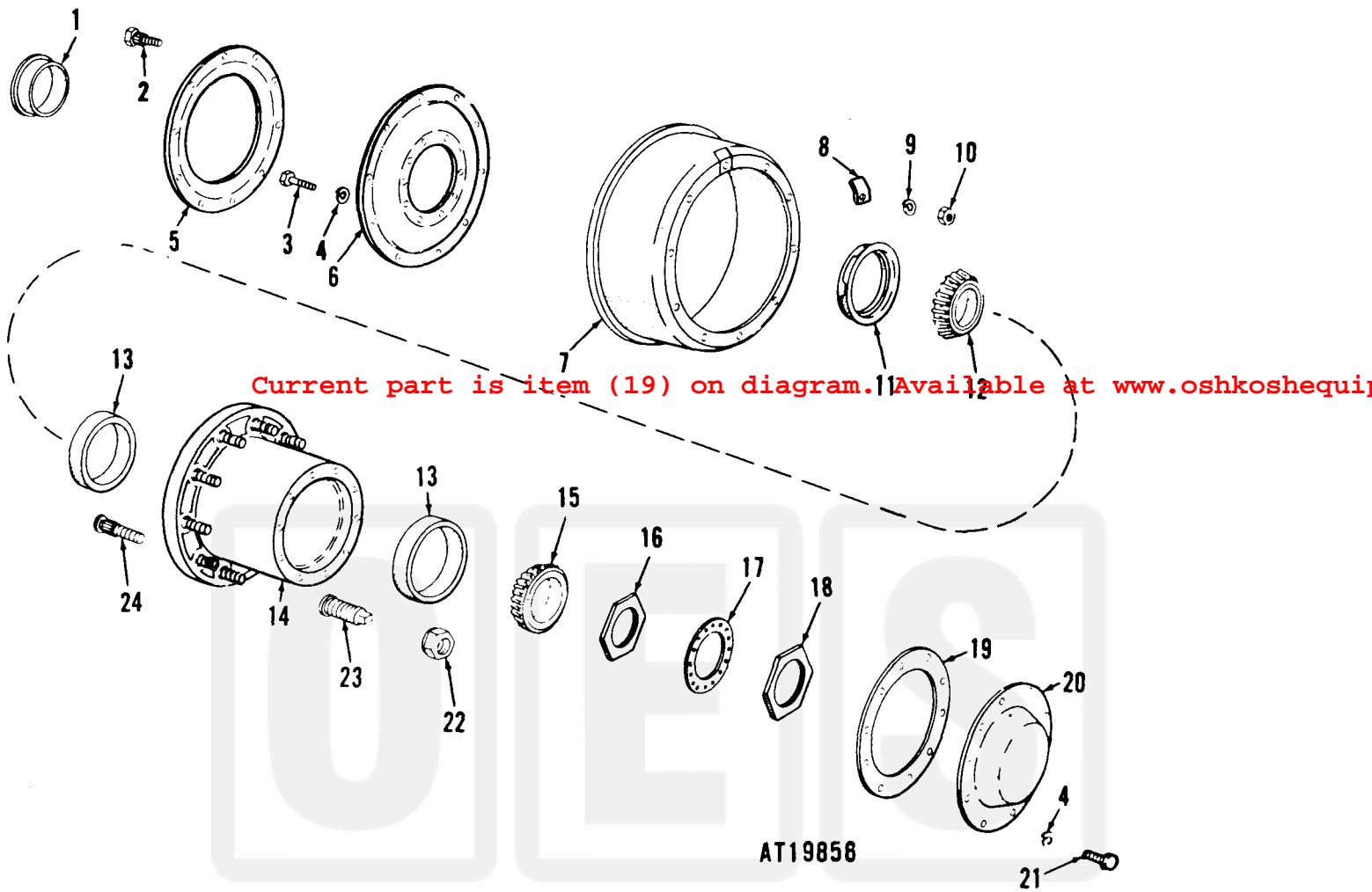


Figure 25. Hub and drum assembly—M269, M270.

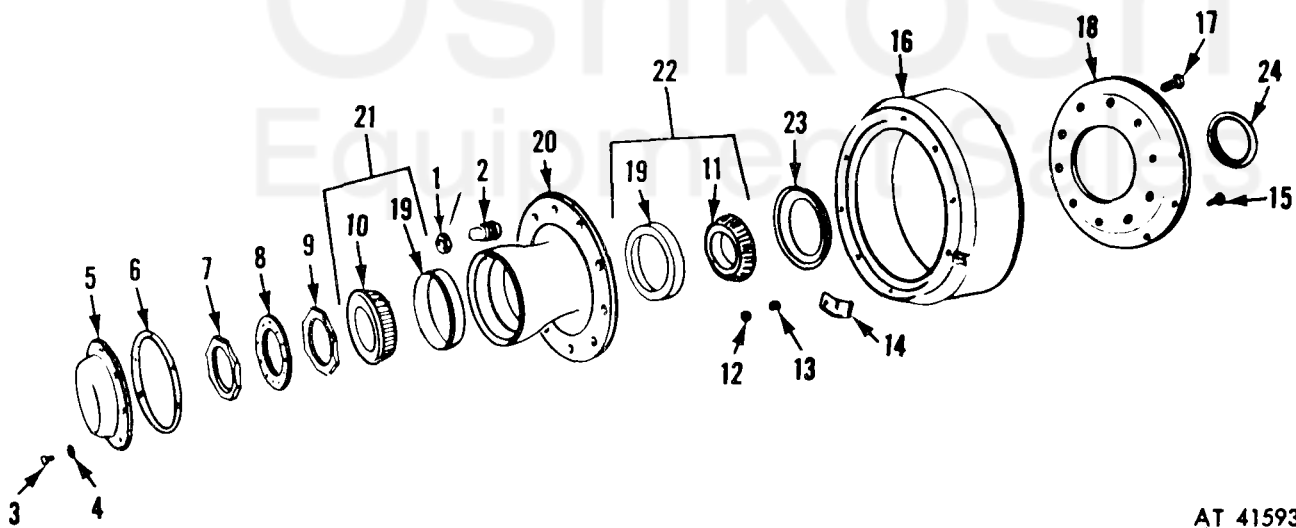


Figure 26. Hub and drum assembly—269A1, M270A1.